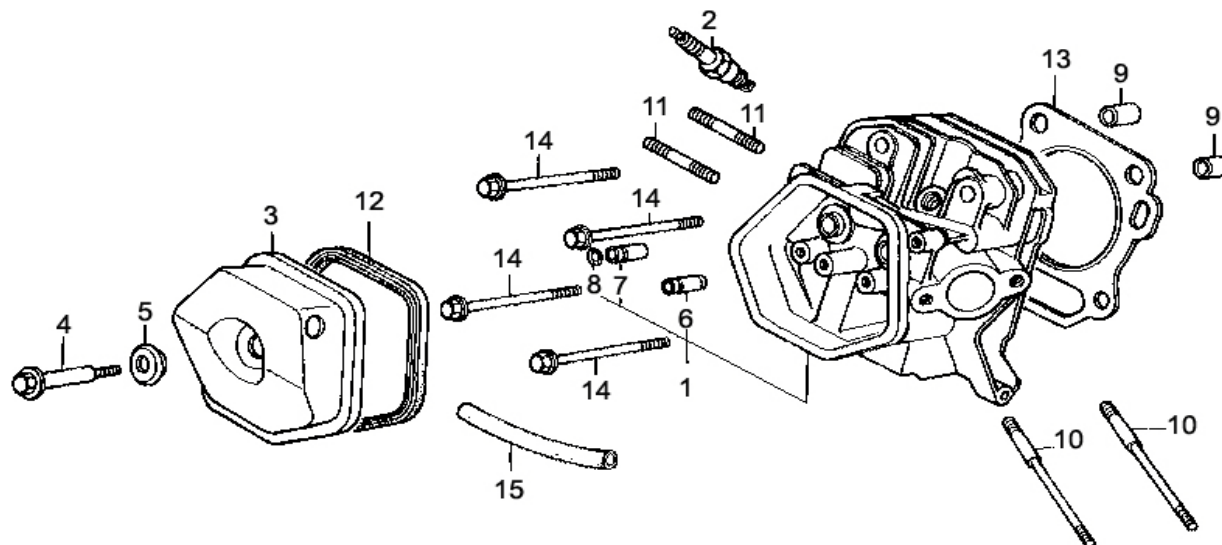
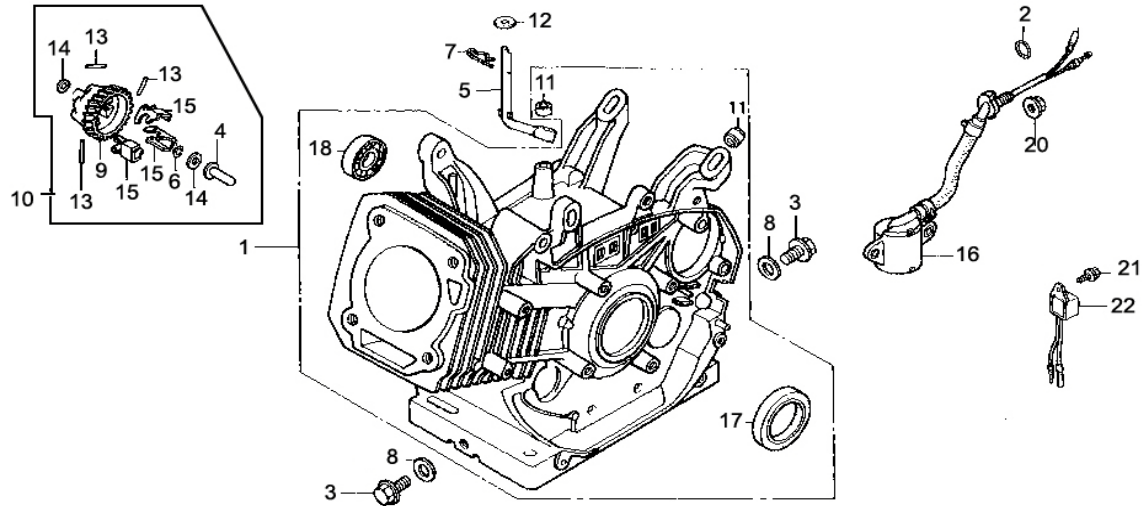


01 - Cylinder Head

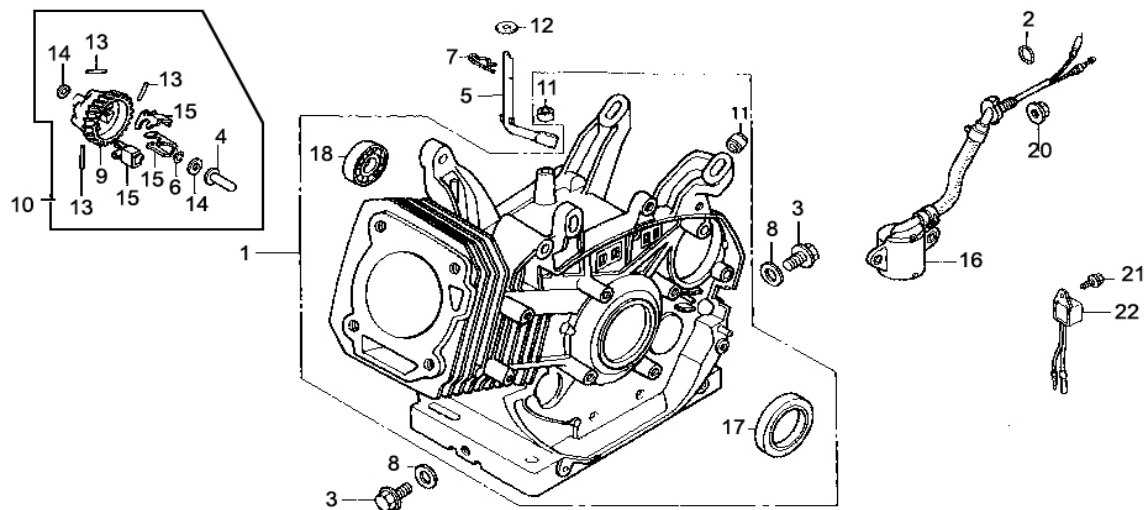


Nr.	Parts code	Description	Quantity			
			SC3000GB(E)	SC4000GB(E)	SC5000GB(E)	SC5000GB3(E)
1	SCE108001010	Head comp., cylinder	1	-	-	-
	SCE111001010	Head comp., cylinder	-	1	1	1
2	SCE105501110	Plug, spark	1	1	1	1
3	SCE108001020	Cover comp., head	1	1	1	1
4	SCE108001150	Bolt, head cover	1	1	1	1
5	SCE108001160	Washer, head cover	1	1	1	1
6	SCE108001012	Guide, IN valve	1	1	1	1
7	SCE108001013	Guide, EX valve	1	1	1	1
8	SCE108001014	Clip, valve guide	1	1	1	1
9	SCE108001053	Dowel pin (ø12x20mm)	2	2	2	2
10	SCE108001130	Bolt, stud IN(M8x123mm)	2	-	-	-
	SCE111001130	Bolt, stud IN(M8x124mm)	-	2	2	2
11	SCE108001120	Bolt, stud EX (M8x48mm)	2	2	2	2
12	SCE108001230	Packing, head cover	1	1	1	1
13	SCE108001140	Gasket, cylinder head	1	-	-	-
	SCE109001140	Gasket, cylinder head	-	-	-	-
	SCE111001140	Gasket, cylinder head	-	1	-	-
	SCE113001140	Gasket, cylinder head	-	-	1	1
14	-	Bolt, flange (M10x80mm)	4	4	4	4
15	SCE108001031	Tube, breather	1	1	1	1

02 - Cylinder Barrel

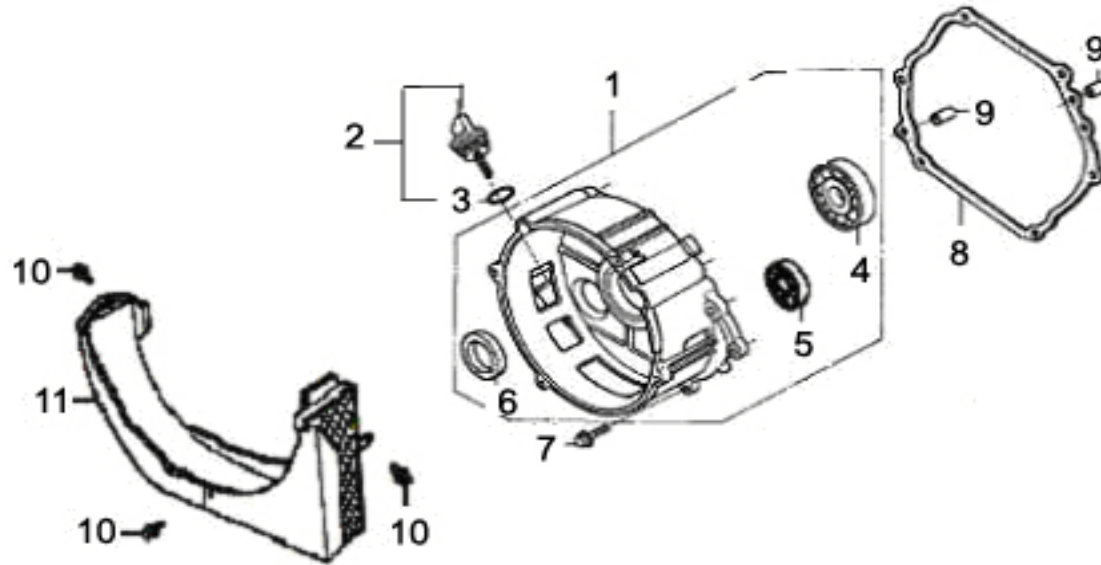


Nr.	Parts code	Description	Quantity			
			SC3000GB(E)	SC4000GB(E)	SC5000GB(E)	SC5000GB3(E)
1	SCE1080020H0	Barrel assy., cylinder oil alert	1	-	-	-
	SCE1090020H0	Barrel assy., cylinder oil alert	-	-	-	-
	SCE1110020H0	Barrel assy., cylinder oil alert	-	1	-	-
	SCE1130020H0	Barrel assy., cylinder oil alert	-	-	1	1
2	SCE105502996	O-ring, 14mm	1	1	1	1
3	SCE10800204K	Bolt, drain plug	2	2	2	2
4	SCE108003150	Slider, governor	1	1	1	1
5	SCE108002140	Shaft, governor arm	1	-	-	-
	SCE111002140	Shaft, governor arm	-	1	1	1
6	SCE105502120	Clip, governor holder	1	1	1	1
7	SCE155002054	Pin, lock, 8mm.	1	1	1	1
8	-	Washer, drain plug	2	2	2	2
9	SCE108003120	Slave gear governor	1	-	-	-
	SCE111003120	Slave gear governor	-	1	1	1
10	SCE108003124	Governor kit	1	-	-	-
	SCE111003124	Governor kit	-	1	1	1
11	-		1	1	1	1
12	-	Washer, plain, 6mm	1	1	1	1
13	SCE108003123	Pin, governor weight	2	3	3	3
14	SCE105502062	Washer, thrust, 6mm	1	1	1	1
15	SCE108003122	Weight, governor	2	-	-	-



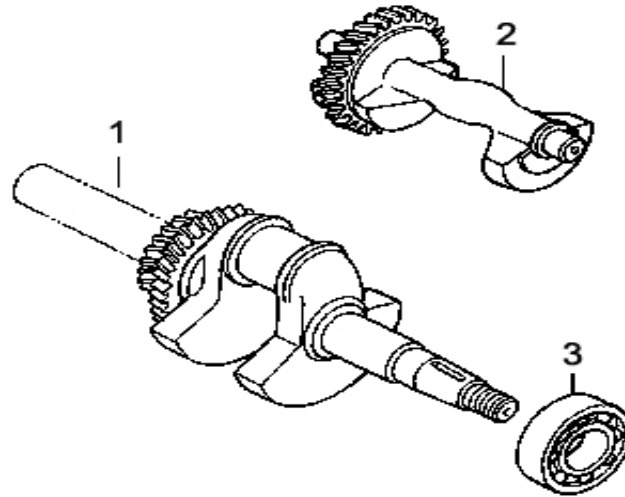
Nr.	Parts code	Description	Quantity			
			SC3000GB(E)	SC4000GB(E)	SC5000GB(E)	SC5000GB3(E)
15	SCE111003122	Weight, governor	-	3	3	3
16	SCE108002170	Switch assy, oil lever	1	1	1	1
17	SCE108002991	Oil seal, $\varnothing 30 \times \varnothing 46 \times 8 \text{mm}$	1	-	-	-
	SCE111002991	Oil seal, $\varnothing 35 \times \varnothing 52 \times 8 \text{mm}$	-	1	1	1
18	SCE108002073	Bearing, radial ball 6206	1	-	-	-
	SCE111002076	Bearing, radial ball 6202	-	1	1	1
19	-	Bolt, flange (M6 x 12mm)	2	2	2	2
20	-	Nut, flange, M10	1	1	1	1
21	-	Bolt, flange (M6x10mm.)	1	1	1	1
22	SCE155002020	Alert unit, oil	1	1	1	1

03 - Crankcase Cover



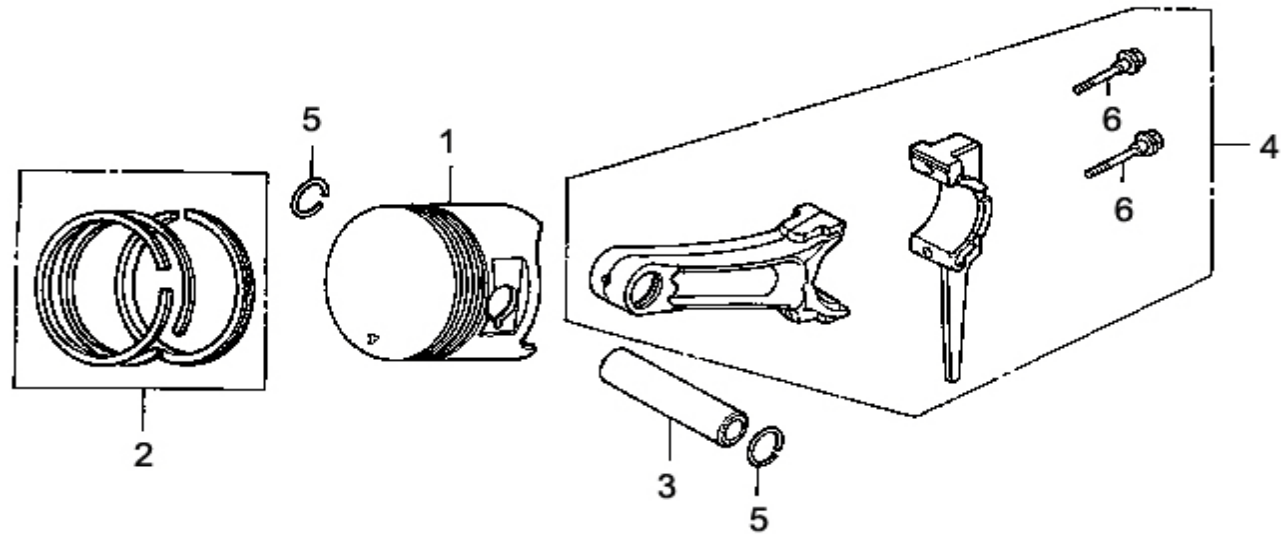
Nr.	Parts code	Description	Quantity			
			SC3000GB(E)	SC4000GB(E)	SC5000GB(E)	SC5000GB3(E)
1	SCG102803010	Cover assy., crankcase	1	-	-	-
	SCG104003010	Cover assy., crankcase	-	1	1	1
2	SCE108002111	Cap assy., oil level	1	1	1	1
3	SCE108002110	Packing, oil cap	2	2	2	2
4	SCE108002073	Bearing, radial ball 6206	1	-	-	-
	SCE111003074	Bearing, radial ball 6207	-	1	1	1
5	SCE111002076	Bearing, radial ball 6202	-	1	1	1
6	SCE108002991	Oil seal, ø30xø46x8mm	1	-	-	-
	SCE111002991	Oil seal, ø35xø52x8mm	-	1	1	1
7	-	Bolt, flange M8x35mm.	6	6	6	6
8	SCG102803020	Packing, case cover	1	-	-	-
	SCG104003020	Packing, case cover	-	1	1	1
9	SCE10800304D	Dowel, pin	2	2	2	2
10	-	Bolt, flange M5x12mm.	3	3	3	3
11	SCG102803100	Cover, dust	1	-	-	-
	SCG104003100	Cover, dust	-	1	1	1

04 - Crankshaft



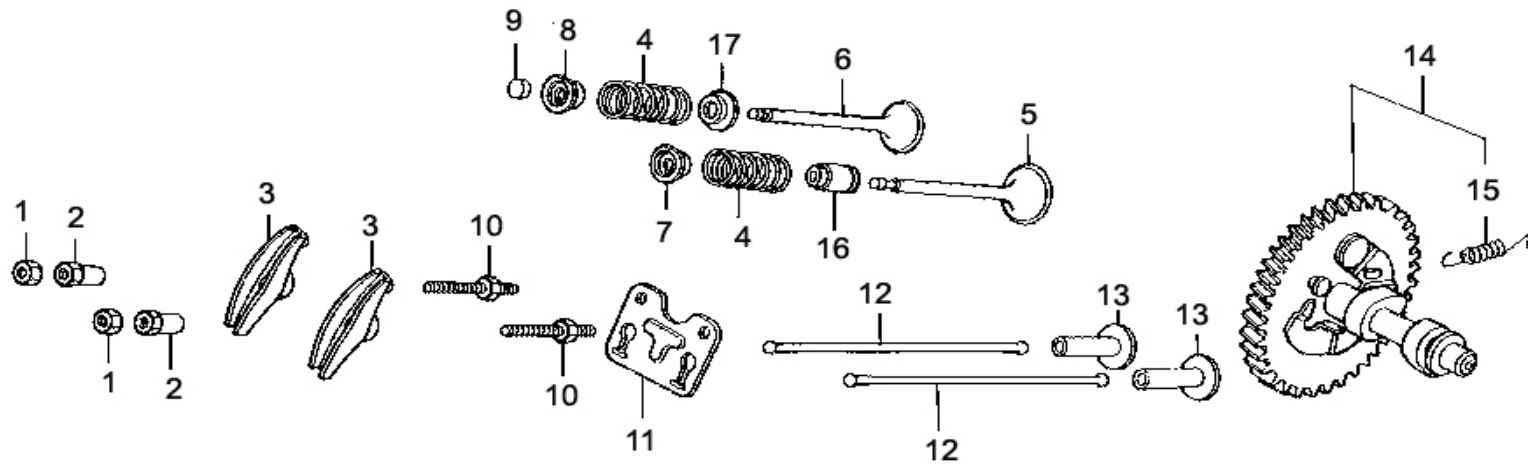
Nr.	Parts code	Description	Quantity				
			SC3000GB(E)	SC4000GB(E)	SC5000GB(E)	SC5000GB3(E)	
1	SCE1080040V0	Crankshaft comp., Tapered	1	-	-	-	
	SCE1090040V0	Crankshaft comp., Tapered	-	-	-	-	
	SCE1110040V0	Crankshaft comp., Tapered	-	1	-	-	
	SCE1130040V0	Crankshaft comp., Tapered	-	-	1	1	
2	SCE111004020	Balancer, Weight	-	1	1	1	
3	SCE108002073	Bearing, radial ball 6206	1	-	-	-	
	SCE111003074	Bearing, radial ball 6207	-	1	1	1	

05 - Piston



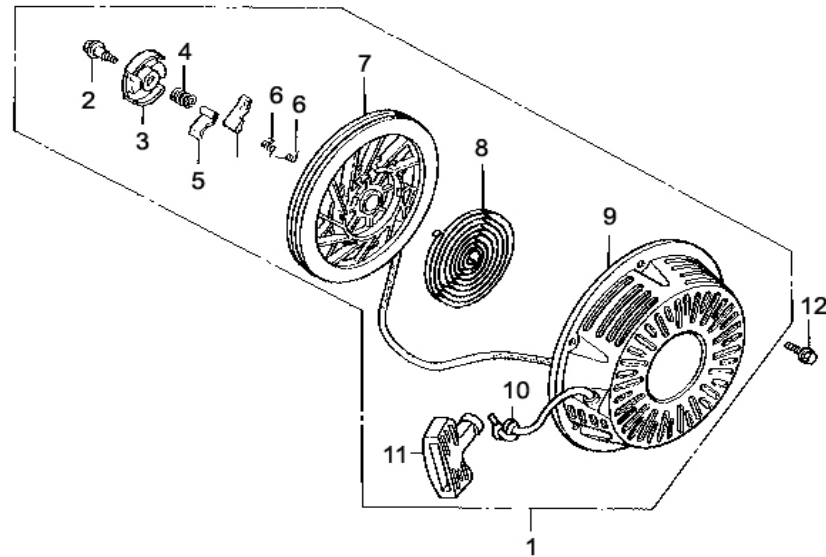
Nr.	Parts code	Description	Quantity			
			SC3000GB(E)	SC4000GB(E)	SC5000GB(E)	SC5000GB3(E)
1	SCE108005100	Piston, STD	1	-	-	-
	SCE109005100	Piston, STD	-	-	-	-
	SCE111005100	Piston, STD	-	1	-	-
	SCE113005100	Piston, STD	-	-	1	1
2	SCE108005200	Ring set STD	1	-	-	-
	SCE109005200	Ring set STD	-	-	-	-
	SCE111005200	Ring set STD	-	1	-	-
	SCE113005200	Ring set STD	-	-	1	1
3	SCE108005110	Piston pin	1	-	-	-
	SCE111005110	Piston pin	-	1	1	1
4	SCE108005210	Connecting rod assy.	1	-	-	-
	SCE111005210	Connecting rod assy.	-	1	1	1
5	SCE108005120	Piston pin clip 18mm.	2	-	-	-
	SCE111005120	Piston pin clip 20mm.	-	2	2	2
6	SCE108005172	Connecting rod bolt	2	2	2	2

06 - Camshaft



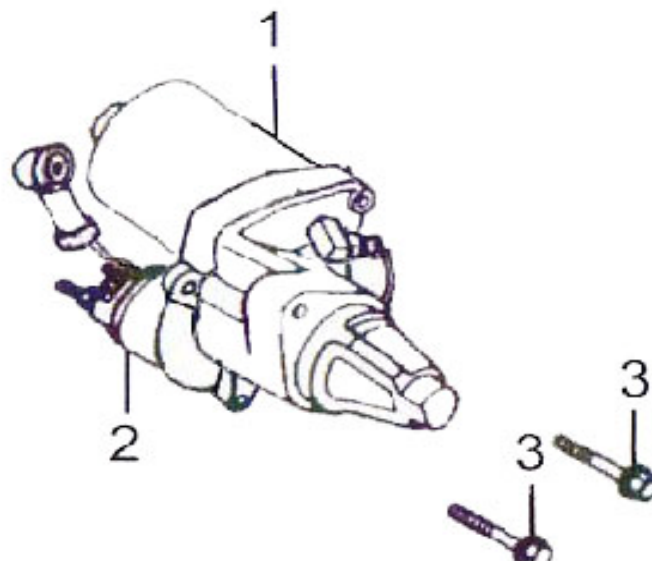
Nr.	Parts code	Description	Quantity			
			SC3000GB(E)	SC4000GB(E)	SC5000GB(E)	SC5000GB3(E)
1	SCE108006160	Nut, pivot adjusting	2	2	2	2
2	SCE108006150	Pivot, rocker arm	2	2	2	2
3	SCE108006140	Arm, valve rocker	2	2	2	2
4	SCE108006190	Spring, valve	2	2	2	2
5	SCE108006170	Valve, IN	1	-	-	-
	SCE111006170	Valve, IN	-	1	1	1
6	SCE108006180	Valve, EX	1	-	-	-
	SCE111006180	Valve, EX	-	1	1	1
7	SCE108006220	Retainer, IN valve spring	1	1	1	1
8	SCE108006200	Retainer, EX valve spring	1	1	1	1
9	SCE108006020	Rotator, valve	1	1	1	1
10	SCE108006130	Bolt, pivot, 8mm	2	2	2	2
11	SCE108006112	Plate, push rod guide	1	1	1	1
12	SCE108006030	Rod, push	2	-	-	-
	SCE111006030	Rod, push	-	2	2	2
13	SCE108006100	Lifter, valve	2	2	2	2
14	SCE108006010	Camshaft assy.	1	-	-	-
	SCE111006010	Camshaft assy.	-	-	-	-
	SCE113006010	Camshaft assy.	-	1	1	1
15	SCE108006013	Spring, weight return	1	1	1	1
16	SCE108006500	Seal, valve stem	1	1	1	1
17	SCE108006700	Seat, valve spring	1	1	1	1

07 - Recoil Starter



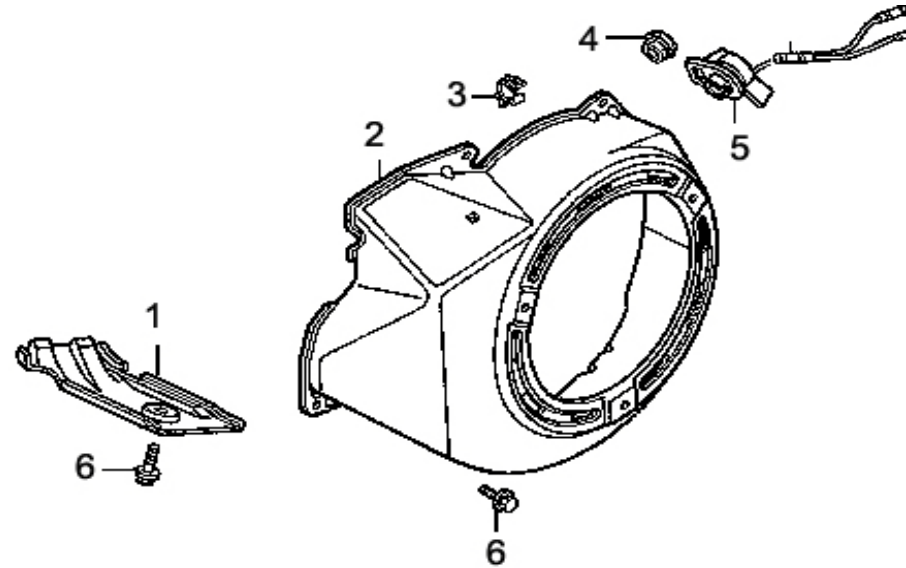
Nr.	Parts code	Description	Quantity			
			SC3000GB(E)	SC4000GB(E)	SC5000GB(E)	SC5000GB3(E)
1	SCE108007010	Starter assy., recoil	1	-	-	-
	SCE111007010	Starter assy., recoil	-	1	1	1
2	SCE105506130	Screw, center	1	1	1	1
3	SCE105506140	Retainer, spring	1	1	1	1
4	SCE105506150	Spring, friction	1	1	1	1
5	SCE105506160	Ratchet, starter	2	2	2	2
6	SCE105506170	Spring, ratchet	2	2	2	2
7	SCE108007030	Pulley, recoil starter	1	-	-	-
	SCE111007030	Pulley, recoil starter	-	1	1	1
8	SCE108007100	Spring, starter return	1	1	1	1
9	SCE108007020	Case comp., recoil starter	1	-	-	-
	SCE111007020	Case comp., recoil starter	-	1	1	1
10	SCE108006111	Rope, recoil starter	1	-	-	-
	SCE111006111	Rope, recoil starter	-	1	1	1
11	SCE105506120	Grip, starter	1	1	1	1
12	-	Bolt, flange	3	3	3	3

08 - Starter Motor



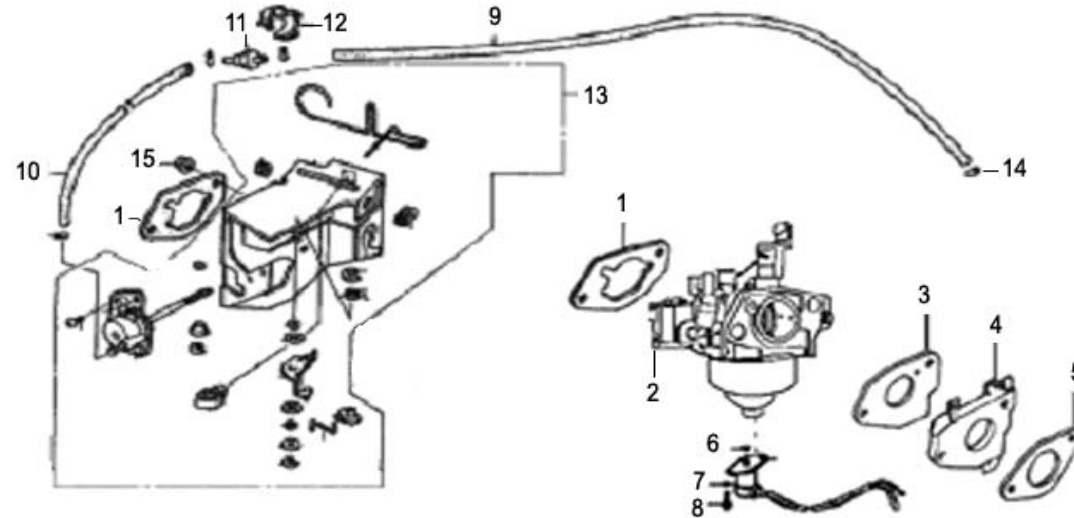
Nr.	Parts code	Description	Quantity				
			SC3000GB(E)	SC4000GB(E)	SC5000GB(E)	SC5000GB3(E)	
1	SCE100808101	Starter Motor	1	-	-	-	
	SCE111008101	Starter Motor	-	1	1	1	
2	SCE100808021	Contactory Assy.	1	-	-	-	
	SCE111008021	Contactory Assy.	-	1	1	1	
3	-	Bolt, flange (M8x35mm)	2	2	2	2	

09 - Fan Cover

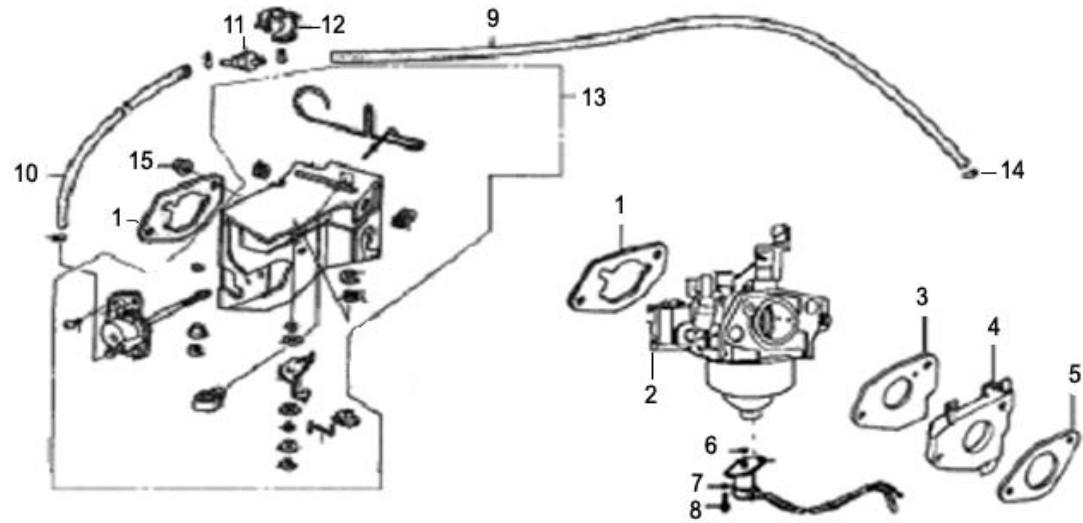


Nr.	Parts code	Description	Quantity				
			SC3000GB(E)	SC4000GB(E)	SC5000GB(E)	SC5000GB3(E)	
1	SCE108009100	Shroud	1	-	-	-	
	SCE111009100	Shroud	-	1	1	1	
2	SCE108009010	Cover comp., fan	1	-	-	-	
	SCE111009010	Cover comp., fan	-	1	1	1	
3	SCE105507300	Clip, tube	2	2	2	2	
4	SCE108009030	Grommet, drain hole	1	1	1	1	
5	SCE105507110	Switch assy., engine stop	1	1	1	1	
6	-	Bolt, flange (M6x12mm)	6	6	6	6	

10 - Carburetor

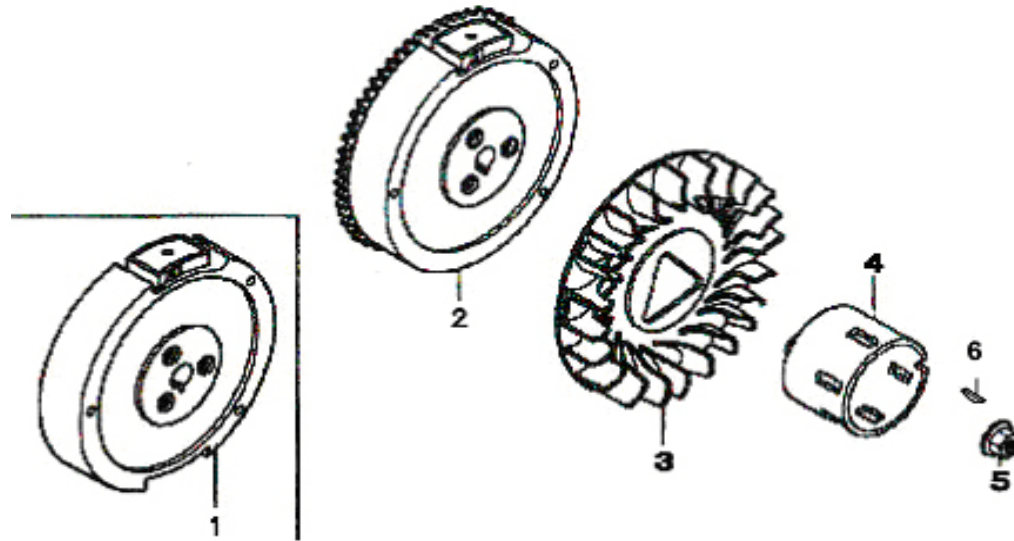


Nr.	Parts code	Description	Quantity			
			SC3000GB(E)	SC4000GB(E)	SC5000GB(E)	SC5000GB3(E)
1	SCG102814112	Spacer comp., carburetor	2	2	2	2
2	SCG102810010	Carburetor assy.	1	-	-	-
	SCG103010010	Carburetor assy.	-	-	-	-
	SCG104010010	Carburetor assy.	-	1	-	-
	SCG105010010	Carburetor assy.	-	-	1	1
3	SCG102810030	Packing, carburetor	1	-	-	-
	SCG103010030	Packing, carburetor	-	-	-	-
	SCG104010030	Packing, carburetor	-	1	-	-
	SCG105010030	Packing, carburetor	-	-	1	1
4	SCG102810110	Insulator, carburetor	1	-	-	-
	SCG104010110	Insulator, carburetor	-	1	-	-
	SCG105010110	Insulator, carburetor	-	-	1	1
5	SCG102810020	Packing, insulator	1	-	-	-
	SCG104010020	Packing, insulator	-	1	-	-
	SCG105010020	Packing, insulator	-	-	1	1
6	SCG102810147	Gasket, solenoid	1	1	1	1
7	SCG102810160	Valve assy., solenoid	1	1	1	1
8	SCG10281009E	Screw, pan (M5 x 16mm)	2	2	2	2
9	SCG102810035	Tube (3.5x130mm.)	1	1	1	1
10	SCG102810036	Tube (3.5x65mm.)	1	1	1	1
11	SCG102810033	Valve, dashpot check	1	1	1	1



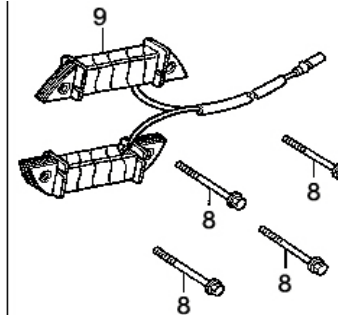
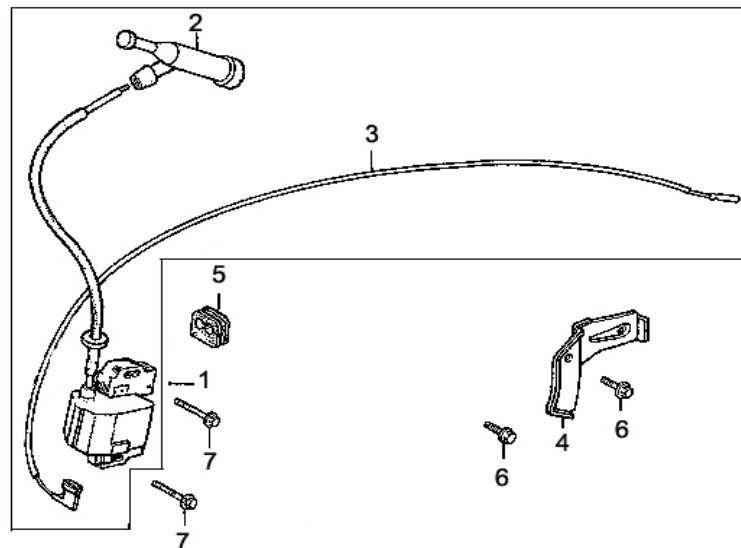
Nr.	Parts code	Description	Quantity			
			SC3000GB(E)	SC4000GB(E)	SC5000GB(E)	SC5000GB3(E)
12	SCG102810034	Clip, wire harness	1	1	1	1
13	SCG102810150	Stay assy., manual choke	1	-	-	-
	SCG104010150	Stay assy., manual choke	-	1	1	1
14	SCG102810037	Clip, tube	1	1	1	1
15	SCG102810158	Grommet, chocke rod	1	1	1	1

11 - Flywheel



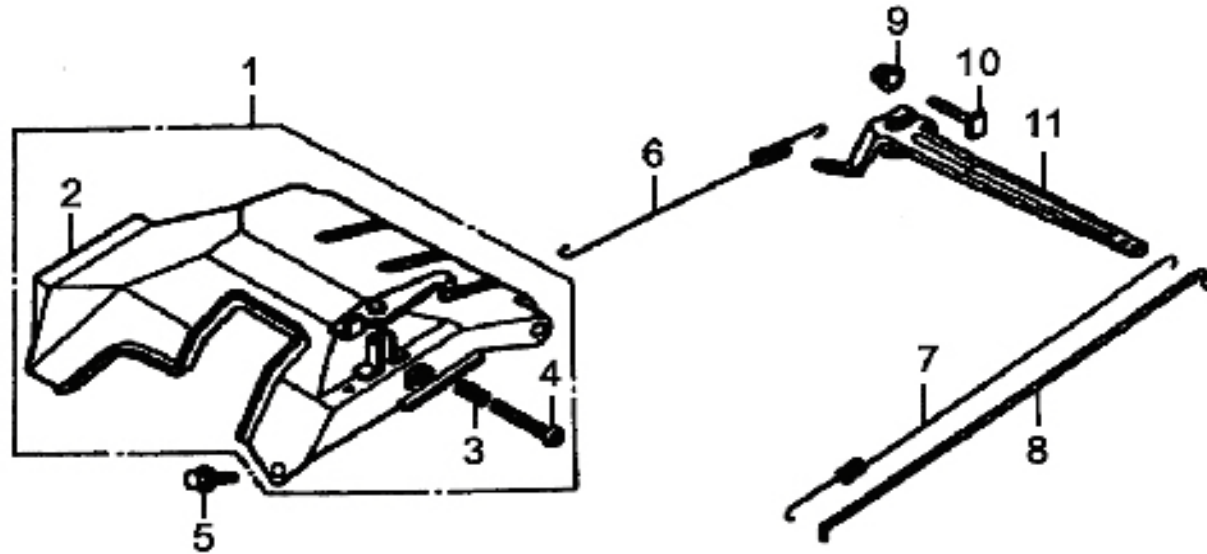
Nr.	Parts code	Description	Quantity			
			SC3000GB(E)	SC4000GB(E)	SC5000GB(E)	SC5000GB3(E)
1	SCE108011010	Flywheel comp.	1	-	-	-
	SCE111011010	Flywheel comp.	-	1	1	1
2	SCE10801101E	Flywheel comp., Starter motor	1 (E)	-	-	-
	SCE11101101E	Flywheel comp., Starter motor	-	1 (E)	1 (E)	1 (E)
3	SCE108011030	Fan, cooling	1	-	-	-
	SCE111011030	Fan, cooling	-	1	1	1
4	SCE108011100	Pulley, starter	1	-	-	-
	SCE111011100	Pulley, starter	-	1	1	1
5	-	Nut, special, 16mm	1	1	1	1
6	SCE108004032	Key, special, woodruff	1	1	1	1

12 - Ignition Coil



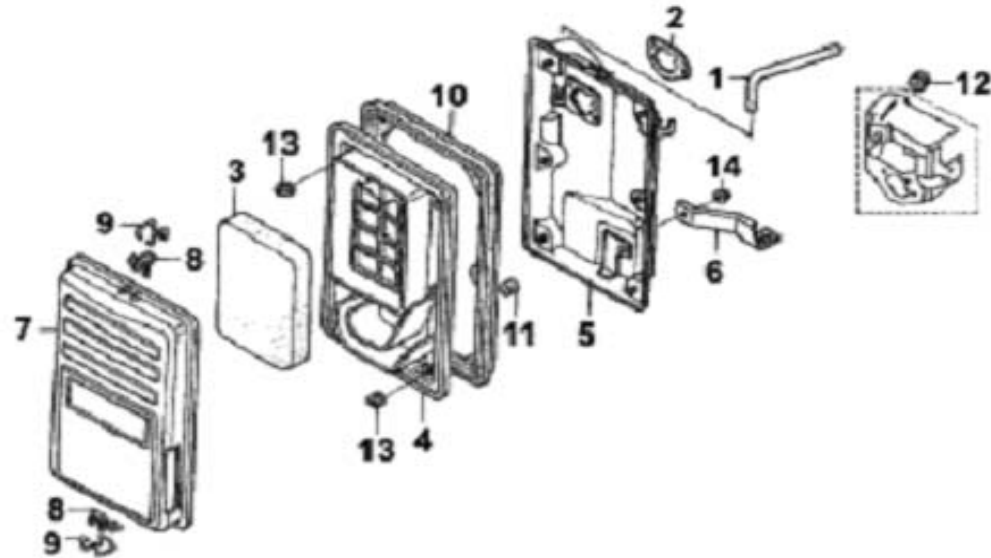
Nr.	Parts code	Description	Quantity			
			SC3000GB(E)	SC4000GB(E)	SC5000GB(E)	SC5000GB3(E)
1	SCE108012120	Coil assy., ignition	1	-	-	-
	SCE111012120	Coil assy., ignition	-	1	1	1
2	SCE105509130	Cap assy., noise suppressor	1	1	1	1
3	SCE108012010	Cord stop switch	1	1	1	1
4	SCE108012015	Clasper, cord	1	1	1	1
5	SCE105507030	Grommet, cord	1	1	1	1
6	-	Bolt, flange (M6 x 8mm)	2	2	2	2
7	-	Flange bolt M6x25	2	2	2	2
8	-	Bolt, flange (M6 x 35mm)	4 (E)	4 (E)	4 (E)	4 (E)
9	SCE105509112	Coil assy. Charge B	1 (E)	1 (E)	1 (E)	1 (E)

13 - Control



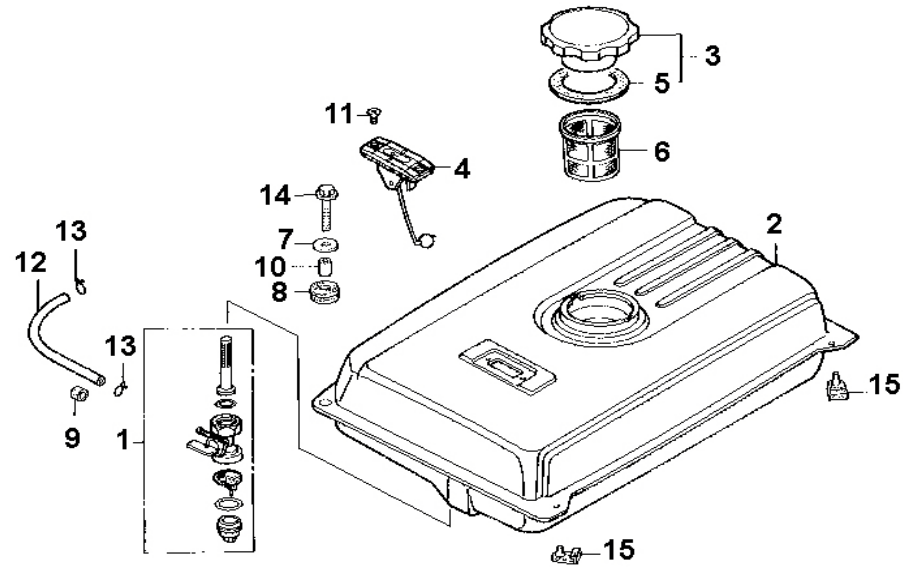
Nr.	Parts code	Description	Quantity			
			SC3000GB(E)	SC4000GB(E)	SC5000GB(E)	SC5000GB3(E)
1	SCG102813010	Control Assy.	1	-	-	-
	SCG104013010	Control Assy.	-	1	1	1
2	SCG102813011	Base Comp., Control	1	-	-	-
	SCG104013011	Base Comp., Control	-	1	1	1
3	SCG102813012	Spring, control adjusting	1	1	1	1
4	-	Screw, pan 5x25mm	1	1	1	1
5	-	Bolt Flange, (M6 x 12mm)	2	2	2	2
6	SCG102813150	Spring, governor	1	-	-	-
	SCG104013150	Spring, governor	-	1	1	1
7	SCG102813151	Spring throttle return	1	-	-	-
	SCG104013151	Spring throttle return	-	1	1	1
8	SCE108013180	Rod, governor	1	-	-	-
	SCE111013180	Rod, governor	-	1	1	1
9	-	Nut, flange 6mm.	1	1	1	1
10	-	Bolt, governor arm	1	1	1	1
11	SCE108013160	Arm, governor	1	-	-	-
	SCE111016160	Arm, governor	-	1	1	1

14 - Air Cleaner



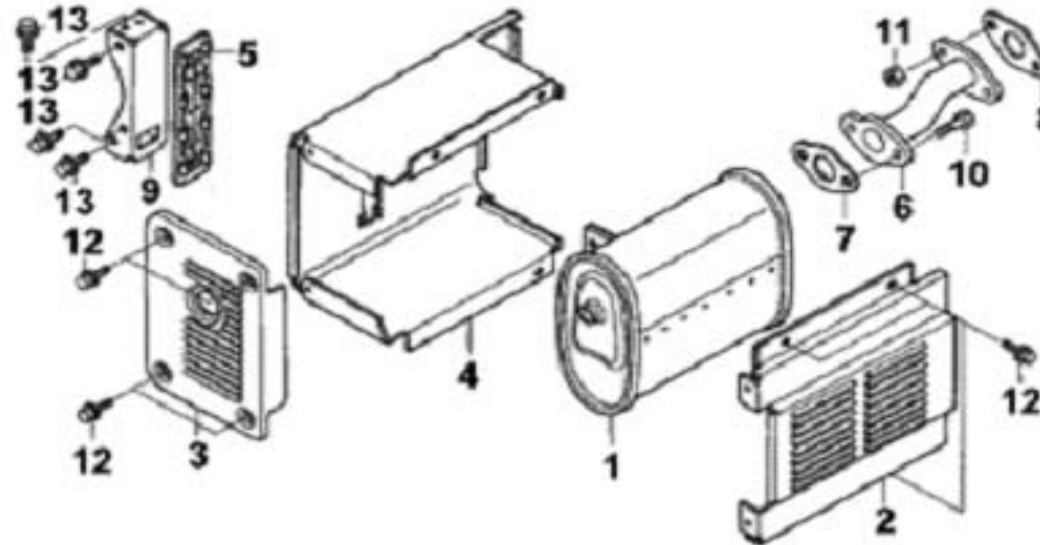
Nr.	Parts code	Description	Quantity			
			SC3000GB(E)	SC4000GB(E)	SC5000GB(E)	SC5000GB3(E)
1	SCG102814111	Tube, breather	1	1	1	1
2	SCG102814108	Packing, air cleaner	1	1	1	1
3	SCG102814100	Element, air cleaner	1	1	1	1
4	SCG102814101	Retainer, filter element	1	1	1	1
5	SCG102814106	Case, air cleaner	1	1	1	1
6	SCG102817100	Stay, air cleaner	1	1	1	1
	SCG104017100	Stay, air cleaner	1	1	1	1
7	SCG102814103	Cover, air cleaner	1	1	1	1
8	SCG102814104	Clip A, Air cleaner	2	2	2	2
9	SCG102814105	Clip B, Air cleaner	2	2	2	2
10	SCG102814102	Gasket, air cleaner	1	1	1	1
11	SCG102814120	Drain tube, filter	1	1	1	1
12	SCG102814130	Grommet fender	1	1	1	1
13	-	Nut flange M 5	6	6	6	6
14	-	Nut flange M 6	2	2	2	2

15 - Fuel Tank



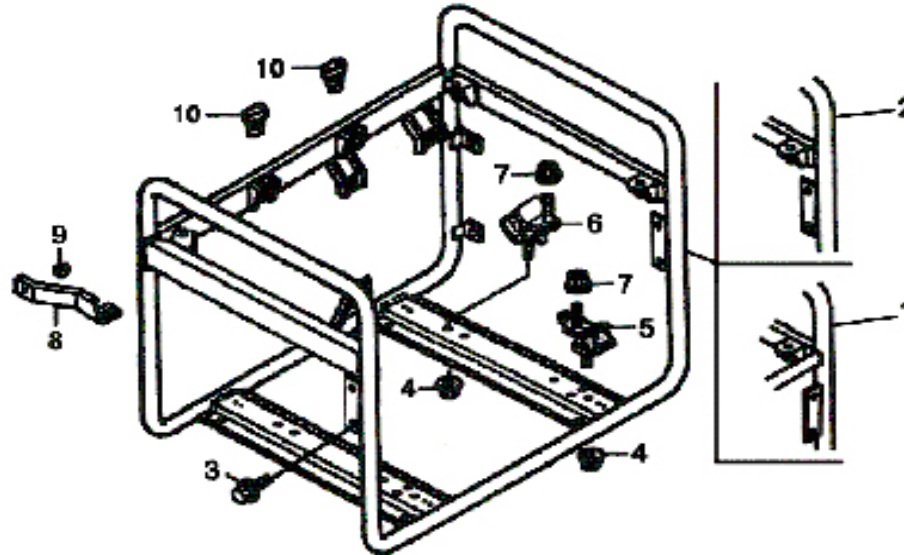
Nr.	Parts code	Description	Quantity			
			SC3000GB(E)	SC4000GB(E)	SC5000GB(E)	SC5000GB3(E)
1	SCG102012030	Fuel cock assy.	1	1	1	1
2	SCG102815010	Tank comp. Fuel (specify color)	1	1	1	1
3	SCG102012067	Fuel filler cap comp.	1	1	1	1
4	SCG102012011	Indicator, Fuel	1	1	1	1
5	SCG102012022	Packing, fuel filler cap	1	1	1	1
6	SCG102012023	Filter, fuel	1	1	1	1
7	SCG102012012	Washer	4	4	4	4
8	SCG102012015	Rubber	4	4	4	4
9	SCG102012131	Fuel rubber(9x15x20)	1	1	1	1
10	SCG102012014	Tank cushion collar	4	4	4	4
11	-	Flat screw (M5x10mm)	2	2	2	2
12	SCG102815130	Fuel Tube	1	1	1	1
13	SCE105512120	Clip, tube (B8)	2	2	2	2
14	-	Flange bolt (M6x22mm)	4	4	4	4
15	SCG102012017	Rubber fuel tank	1	1	1	1

16 - Muffler



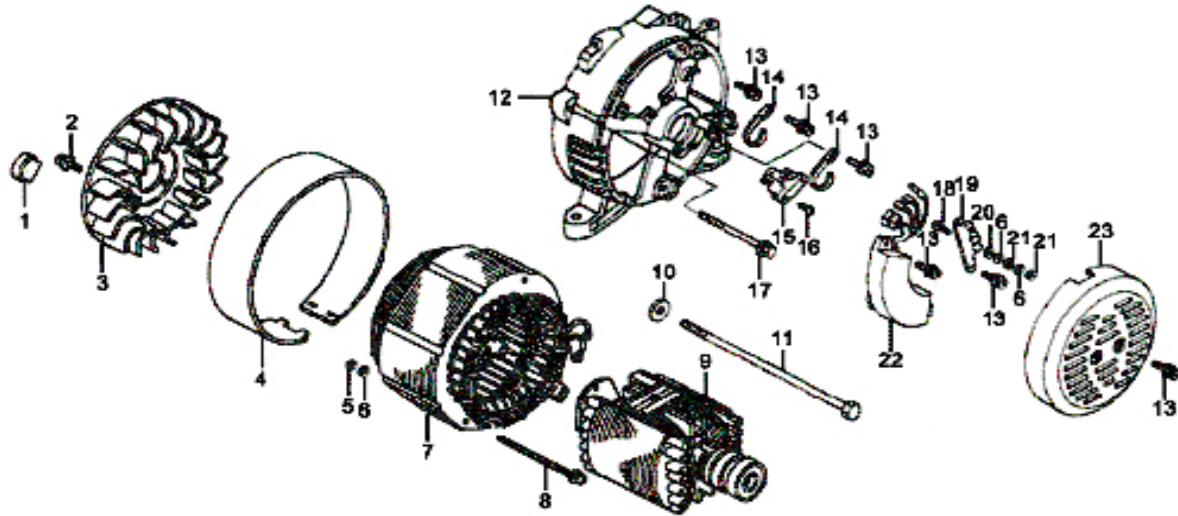
Nr.	Parts code	Description	Quantity			
			SC3000GB(E)	SC4000GB(E)	SC5000GB(E)	SC5000GB3(E)
1	SCG102816100	Muffler comp.	1	-	-	-
	SCG103016100	Muffler comp.	-	-	-	-
	SCG104016100	Muffler comp.	-	1	-	-
	SCG105016100	Muffler comp.	-	-	1	1
2	SCG102816102	Muffler outer protector comp.	1	1	1	1
3	SCG102816103	Muffler outer protector	1	1	1	1
4	SCG102816101	Muffler inner protector comp.	1	-	-	-
	SCG103016101	Muffler inner protector comp.	-	-	-	-
	SCG104016101	Muffler inner protector comp.	-	1	-	-
	SCG105016101	Muffler inner protector comp.	-	-	1	1
5	SCG102816030	Muffler seal protector	1	1	1	1
6	SCG102816020	Pipe EX comp.	1	-	-	-
	SCG104016020	Pipe EX comp.	-	1	1	1
7	SCG102816010	Muffler gasket	1	1	1	1
8	SCG102816011	Outlet gasket	1	1	1	1
9	SCG102816031	Muffler stay	1	1	1	1
10	-	Bolt hex. (M8x32mm.)	2	2	2	2
11	-	Nut hex (M8mm.)	7	7	7	7
12	-	Flange bolt (M6x12mm.)	4	4	4	4
13	-	Flange bolt (M6x16mm.)	4	4	4	4

17 - Frame

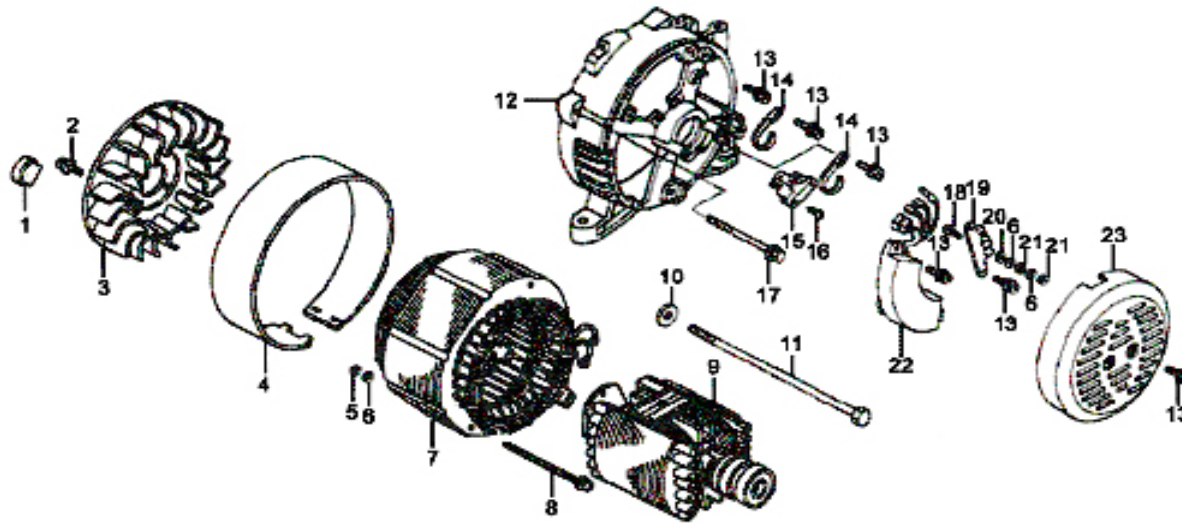


Nr.	Parts code	Description	Quantity			
			SC3000GB(E)	SC4000GB(E)	SC5000GB(E)	SC5000GB3(E)
1	SCG102817010	Frame comp.	1	-	-	-
	SCG102817011	Frame comp.	1 (E)	-	-	-
	SCG103017011	Frame comp.	-	-	-	-
	SCG103017011	Frame comp.	-	-	-	-
	SCG104017010	Frame comp.	-	1	-	-
	SCG104017011	Frame comp.	-	1 (E)	-	-
	SCG105017010	Frame comp.	-	-	1	1
	SCG105017011	Frame comp.	-	-	1 (E)	1 (E)
3	-	Bolt, flange (M6x12mm)	4	4	4	4
4	-	Nut, flange 6mm.	4	4	4	4
5	SCG102817020	Silentblock, left	2	-	-	-
	SCG104017020	Silentblock, left	-	2	2	2
6	SCG102817021	Silentblock, Right	2	-	-	-
	SCG104017021	Silentblock, Right	-	2	2	2
7	-	Nut, flange 10mm.	4	4	4	4
8	SCG102817100	Stay, Air Cleaner	1	-	-	-
	SCG104017100	Stay, Air Cleaner	-	1	1	1
9	-	Nut, flange 6mm.	1	1	1	1
10	SCG102012017	Rubber fuel tank	4	4	4	4
11	SCG102817155	Silentblock, Set Complete	1	-	-	-
	SCG104017155	Silentblock, Set Complete	-	1	1	1

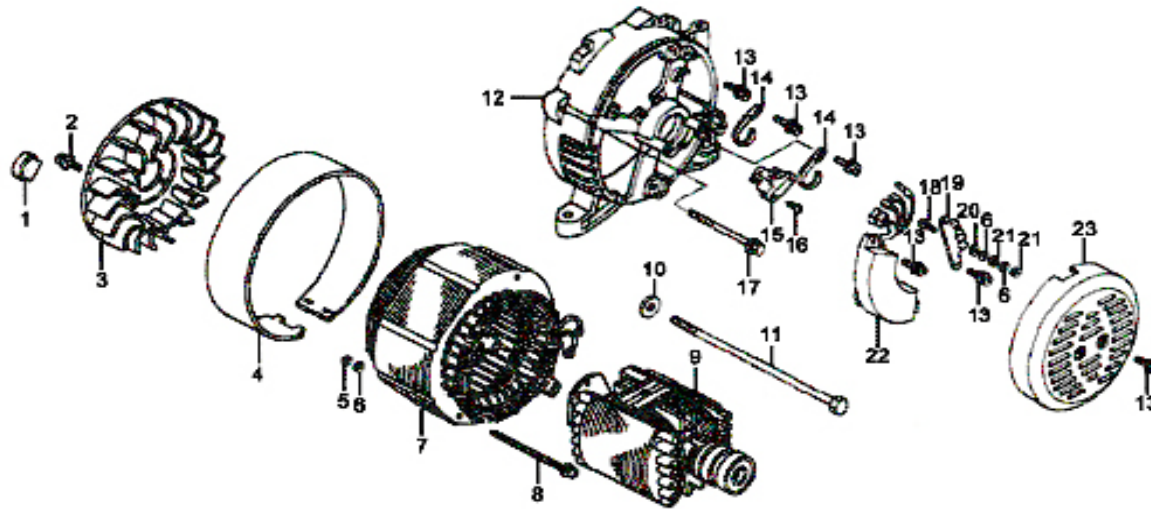
18 - Alternator



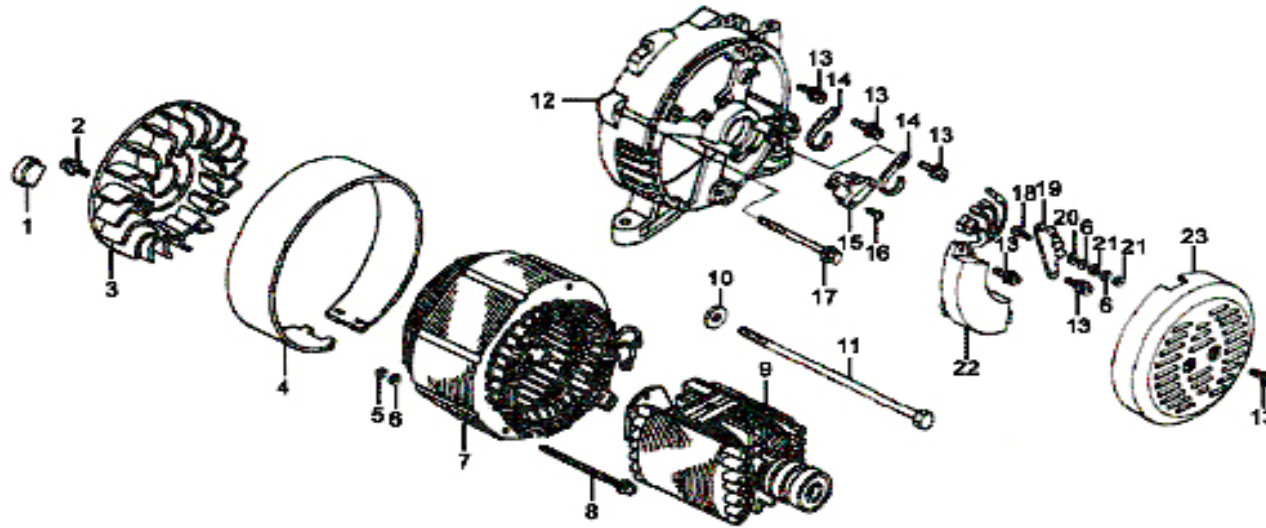
Nr.	Parts code	Description	Quantity			
			SC3000GB(E)	SC4000GB(E)	SC5000GB(E)	SC5000GB3(E)
1	SCG102818016	Grommet, crankcase	1	1	1	1
2	-	Screw, tapping (M5 x 14mm)	3	3	3	3
3	SCG102818115	Fan, generator cooling	1	1	1	1
4	SCG102818010	Cover, stator	1	-	-	-
	SCG103018010	Cover, stator	-	-	-	-
	SCG104018010	Cover, stator	-	1	-	-
	SCG105018010	Cover, stator	-	-	1	1
5	-	Nut, 5mm	2	2	2	2
6	-	Washer, spring 5mm	6	6	6	6
7	SCG102818E11	Stator assy. (220V/50HZ)	1	-	-	-
	SCG102818U11	Stator assy. (110V/60HZ)	1	-	-	-
	SCG102818P11	Stator assy. (220V/60HZ)	1	-	-	-
	SCG102818B11	Stator assy. (110 - 220V/60HZ)	1	-	-	-
	SCG103018E11	Stator assy. (220V/50HZ)	-	-	-	-
	SCG103018U11	Stator assy. (110V/60HZ)	-	-	-	-
	SCG103018P11	Stator assy. (220V/60HZ)	-	-	-	-
	SCG103018B11	Stator assy. (110 - 220V/60HZ)	-	-	-	-
	SCG104018E11	Stator assy. (220V/50HZ)	-	1	-	-
	SCG104018U11	Stator assy. (110V/60HZ)	-	1	-	-
	SCG104018P11	Stator assy. (220V/60HZ)	-	1	-	-
	SCG104018B11	Stator assy. (110 - 220V/60HZ)	-	1	-	-



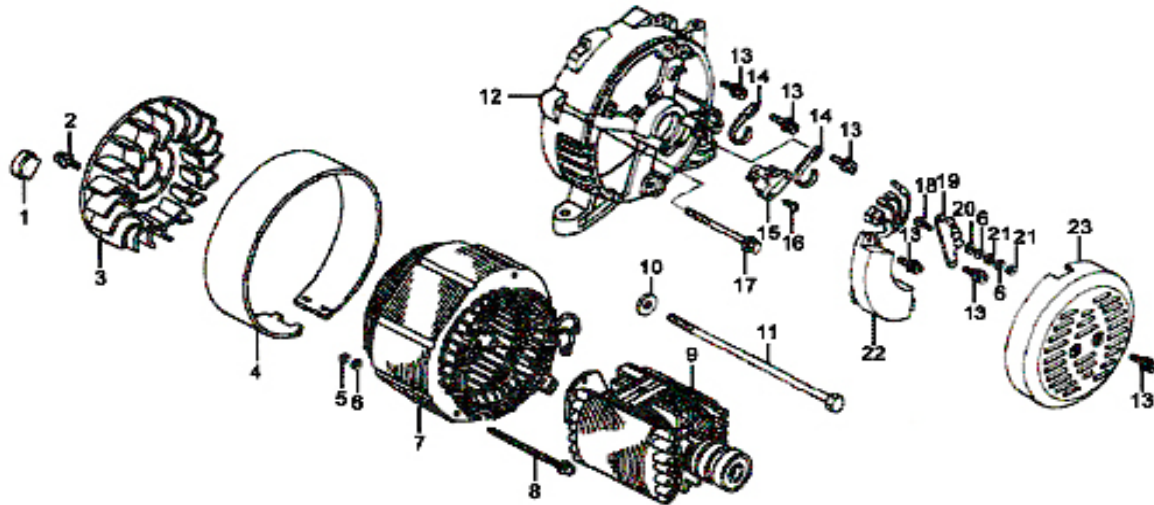
Nr.	Parts code	Description	Quantity			
			SC3000GB(E)	SC4000GB(E)	SC5000GB(E)	SC5000GB3(E)
7	SCG105018E11	Stator assy. (220V/50HZ)	-	-	1	-
	SCG105018U11	Stator assy. (110V/60HZ)	-	-	1	-
	SCG105018P11	Stator assy. (220V/60HZ)	-	-	1	-
	SCG105018B11	Stator assy. (110 - 220V/60HZ)	-	-	1	-
	SCG105T18E11	Stator assy. 3Phase	-	-	-	1
8	-	Bolt, flange (M5 x 158mm)	2	-	-	-
	-	Bolt, flange (M5 x 198mm)	-	2	-	-
	-	Bolt, flange (M5 x 214mm)	-	-	2	2
9	SCG102818E12	Rotor assy. (220V/50HZ)	1	-	-	-
	SCG102818U12	Rotor assy. (110V/60HZ)	1	-	-	-
	SCG102818P12	Rotor assy. (220V/60HZ)	1	-	-	-
	SCG102818B12	Rotor assy. (110 - 220V/60HZ)	1	-	-	-
	SCG103018E12	Rotor assy. (220V/50HZ)	-	-	-	-
	SCG103018U12	Rotor assy. (110V/60HZ)	-	-	-	-
	SCG103018P12	Rotor assy. (220V/60HZ)	-	-	-	-
	SCG103018B12	Rotor assy. (110 - 220V/60HZ)	-	-	-	-
	SCG104018E12	Rotor assy. (220V/50HZ)	-	1	-	-
	SCG104018U12	Rotor assy. (110V/60HZ)	-	1	-	-
	SCG104018P12	Rotor assy. (220V/60HZ)	-	1	-	-
	SCG104018B12	Rotor assy. (110 - 220V/60HZ)	-	1	-	-
	SCG105018E12	Rotor assy. (220V/50HZ)	-	-	1	-
	SCG105018U12	Rotor assy. (110V/60HZ)	-	-	1	-
	SCG105018P12	Rotor assy. (220V/60HZ)	-	-	1	-



Nr.	Parts code	Description	Quantity			
			SC3000GB(E)	SC4000GB(E)	SC5000GB(E)	SC5000GB3(E)
9	SCG105018B12	Rotor assy. (110 - 220V/60HZ)	-	-	1	-
	SCG105T18E12	Rotor assy. 3 Phase	-	-	-	1
10	SCG102818015	Washer, $\varnothing 10.2 \times \varnothing 30 \times 4 \text{mm}$	1	1	1	1
11	-	Bolt, hex (M10 x 210mm)	1	-	-	-
	-	Bolt, hex (M10 x 250mm)	-	1	-	-
	-	Bolt, hex (M10 x 265mm)	-	-	1	1
12	SCG102818013	Housing, RR	1	1	1	1
13	-	Bolt, flange (M5 x 12mm)	9	9	9	9
14	SCG102818014	Tie, cable	2	2	2	2
15	SCG102818017	Brush, assy.	1	1	1	1
16	-	Bolt, tapping (M5 x 17mm)	1	1	1	1
17	-	Bolt, flange (M6 x 124mm)	4	-	-	-
	-	Bolt, flange (M6 x 164mm)	-	4	-	-
	-	Bolt, flange (M6 x 179mm)	-	-	4	4
	-	Bolt, hex (M5 x 20mm)	2	2	2	2
19	SCG102818020	Terminal, volt charge	1	1	1	-
	SCG105T18020	Terminal, volt charge	-	-	-	1
20	-	Washer, plain 5mm	2	2	2	2
21	-	Nut, hex 5mm	4	4	4	4

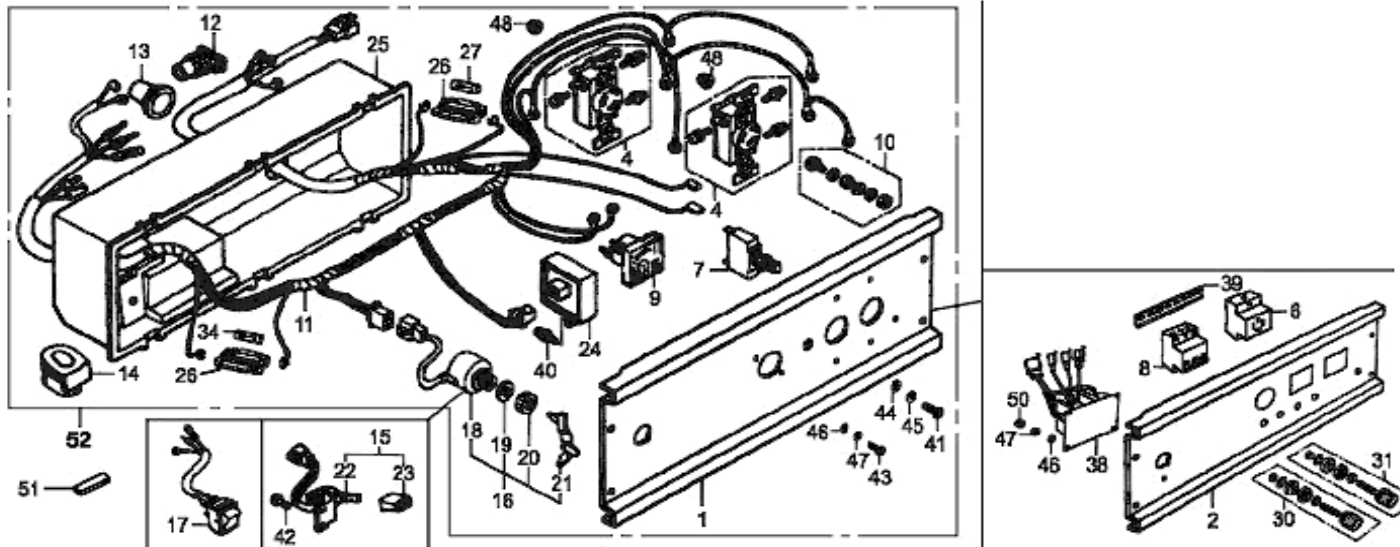


Nr.	Parts code	Description	Quantity			
			SC3000GB(E)	SC4000GB(E)	SC5000GB(E)	SC5000GB3(E)
22	SCG103018E30	AVR (220V/50HZ)	1	-	-	-
	SCG103018U30	AVR (110V/60HZ)	1	-	-	-
	SCG103018P30	AVR (220V / 60Hz)	1	-	-	-
	SCG103018B30	AVR (110V-220V / 60Hz)	1	-	-	-
	SCG104018E30	AVR (220V/50HZ)	-	1	-	-
	SCG104018U30	AVR (110V/60HZ)	-	1	-	-
	SCG104018P30	AVR (220V / 60Hz)	-	1	-	-
	SCG104018B30	AVR (110V-220V / 60Hz)	-	1	-	-
	SCG105018E30	AVR (220V/50HZ)	-	-	1	-
	SCG105018U30	AVR (110V/60HZ)	-	-	1	-
	SCG105018P30	AVR (220V / 60Hz)	-	-	1	-
	SCG105018B30	AVR (110V-220V / 60Hz)	-	-	1	-
	SCG105T18E30	AVR 3 Phase	-	-	-	1
	23	SCG102818151	Alternator, Cover	1	1	1
24	SCG102818E77	Alternator (220V/50HZ)	1	-	-	-
	SCG102818U77	Alternator (110V/60HZ)	1	-	-	-
	SCG102818P77	Alternator (220V / 60Hz)	1	-	-	-
	SCG102818B77	Alternator (110V-220V / 60Hz)	1	-	-	-
	SCG103018E77	Alternator (220V/50HZ)	-	-	-	-
	SCG103018U77	Alternator (110V/60HZ)	-	-	-	-
	SCG103018P77	Alternator (220V / 60Hz)	-	-	-	-
	SCG103018B77	Alternator (110V-220V / 60Hz)	-	-	-	-
	SCG104018E77	Alternator (220V/50HZ)	-	1	-	-

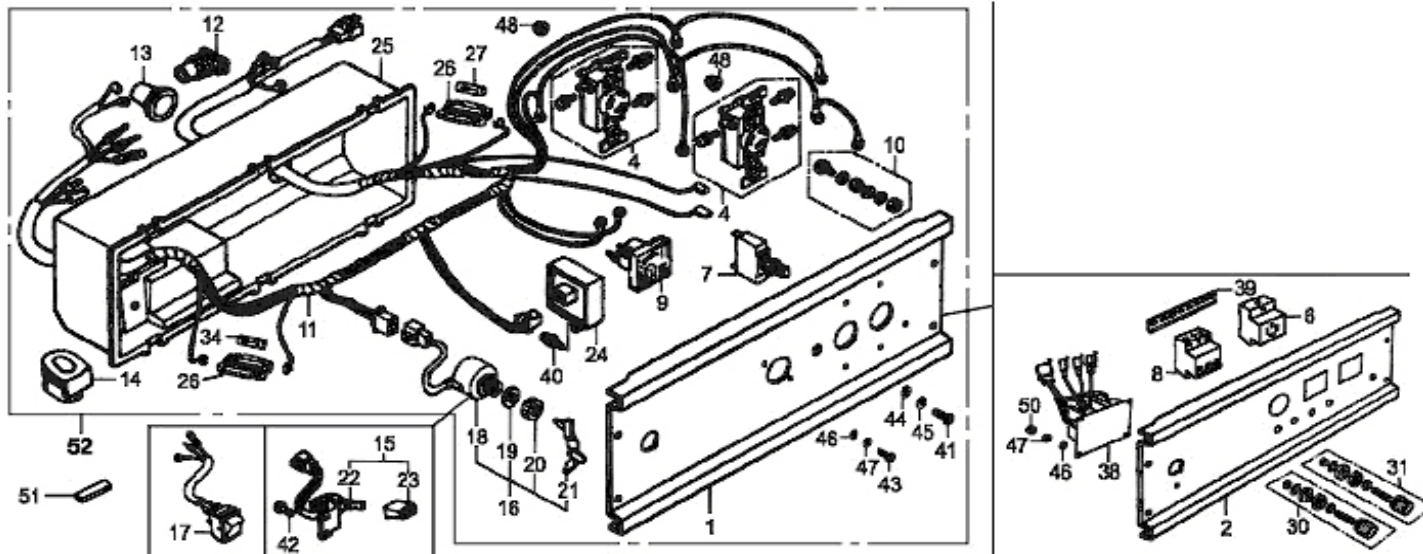


Nr.	Parts code	Description	Quantity			
			SC3000GB(E)	SC4000GB(E)	SC5000GB(E)	SC5000GB3(E)
24	SCG104018U77	Alternator (110V/60HZ)	-	1	-	-
	SCG104018P77	Alternator (220V / 60Hz)	-	1	-	-
	SCG104018B77	Alternator (110V-220V / 60Hz)	-	1	-	-
	SCG105018E77	Alternator (220V/50HZ)	-	-	1	-
	SCG105018U77	Alternator (110V/60HZ)	-	-	1	-
	SCG105018P77	Alternator (220V / 60Hz)	-	-	1	-
	SCG105018B77	Alternator (110V-220V / 60Hz)	-	-	1	-
	SCG105T18E77	Alternator 3 Phase	-	-	-	1

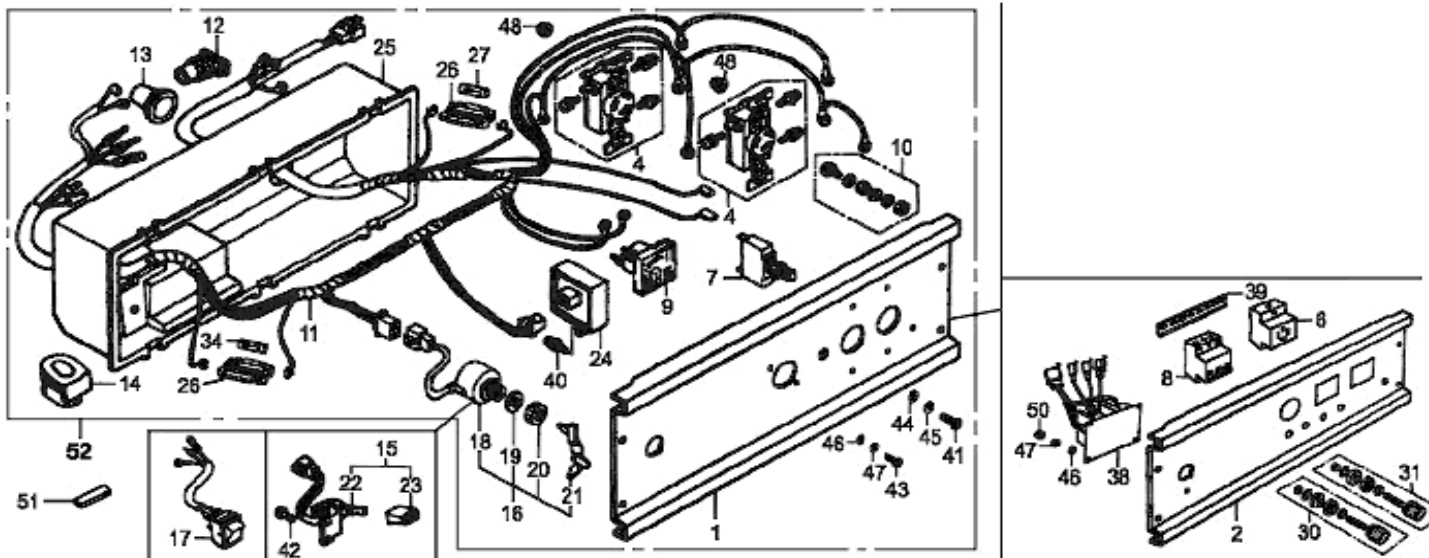
19 - Control Panel



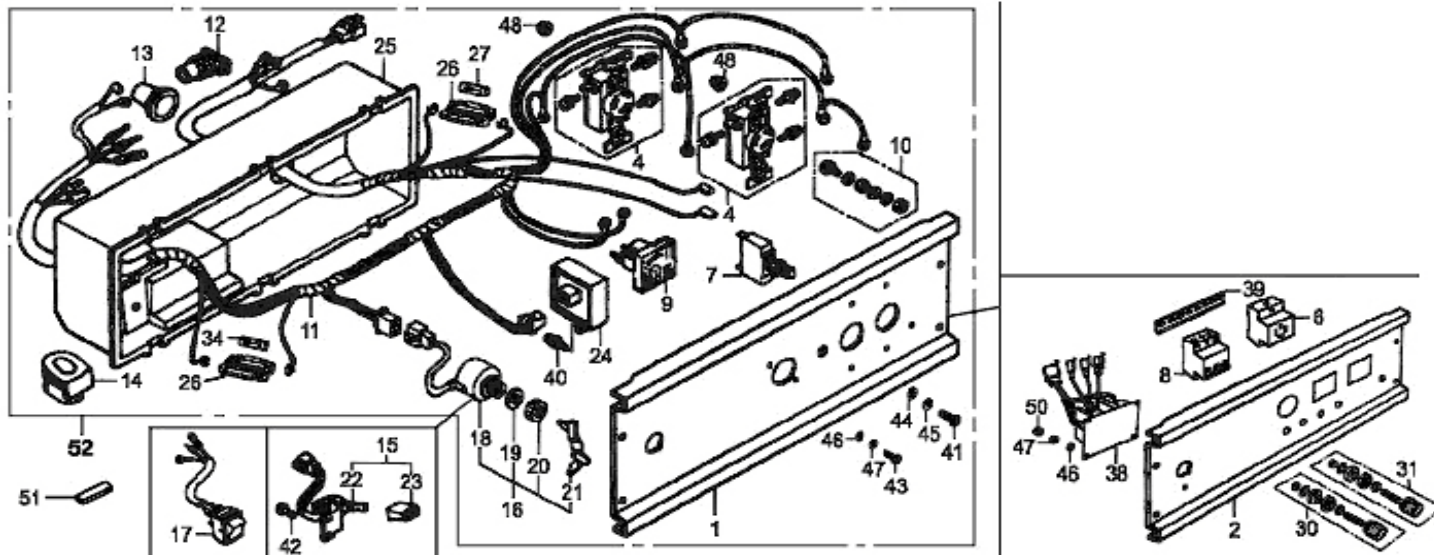
Nr.	Parts code	Description	Quantity			
			SC3000GB(E)	SC4000GB(E)	SC5000GB(E)	SC5000GB3(E)
	SCG102819E20	Front panel (220V / 50HZ)	1	-	-	-
	SCG102819U20	Front panel (110V / 60HZ)	1	-	-	-
	SCG102819P20	Front panel (220V / 60HZ)	1	-	-	-
	SCG102819B20	Front panel (220 - 110V / 60HZ)	1	-	-	-
	SCG102819E2E	Front panel (220V / 50HZ) E. St	1 (E)	-	-	-
	SCG102819U2E	Front panel (110V / 60HZ) E St.	1 (E)	-	-	-
	SCG102819P2E	Front panel (220V / 60HZ) E St	1 (E)	-	-	-
	SCG102819B2E	Front panel (220 - 110V / 60HZ) E St	1 (E)	-	-	-
	SCG103019E20	Front panel (220V / 50HZ)	-	-	-	-
	SCG103019U20	Front panel (110V / 60HZ)	-	-	-	-
1	SCG103019P20	Front panel (220V / 60HZ)	-	-	-	-
	SCG103019B20	Front panel (220 - 110V / 60HZ)	-	-	-	-
	SCG103019E2E	Front panel (220V / 50HZ) E. St	-	-	-	-
	SCG103019U2E	Front panel (110V / 60HZ) E St.	-	-	-	-
	SCG103019P2E	Front panel (220 - 110V / 60HZ) E St	-	-	-	-
	SCG103019B2E	Front panel (220 - 110V / 60HZ) E St	-	-	-	-
	SCG104019E20	Front panel (220V / 50HZ)	-	1	-	-
	SCG104019U20	Front panel (110V / 60HZ)	-	1	-	-
	SCG104019P20	Front panel (220V / 60HZ)	-	1	-	-
	SCG104019B20	Front panel (220 - 110V / 60HZ)	-	1	-	-
	SCG104019E2E	Front panel (220V / 50HZ) E. St	-	1 (E)	-	-



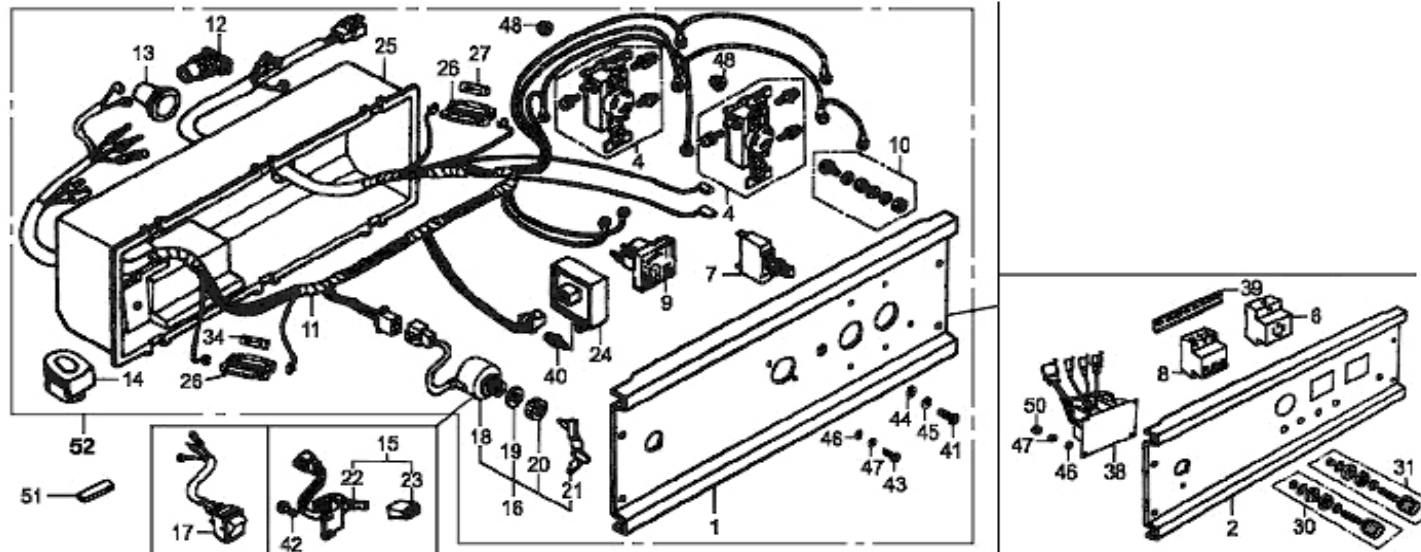
Nr.	Parts code	Description	Quantity			
			SC3000GB(E)	SC4000GB(E)	SC5000GB(E)	SC5000GB3(E)
1	SCG104019U2E	Front panel (110V / 60HZ) E St.	-	1 (E)	-	-
	SCG104019P2E	Front panel (220 - 110V / 60HZ) E St	-	1 (E)	-	-
	SCG104019B2E	Front panel (220 - 110V / 60HZ) E St	-	1 (E)	-	-
	SCG105019E20	Front panel (220V / 50HZ)	-	-	1	-
	SCG105019U20	Front panel (110V / 60HZ)	-	-	1	-
	SCG105019P20	Front panel (220V / 60HZ)	-	-	1	-
	SCG105019B20	Front panel (220 - 110V / 60HZ)	-	-	1	-
	SCG105019E2E	Front panel (220V / 50HZ) E. St	-	-	1 (E)	-
	SCG105019U2E	Front panel (110V / 60HZ) E St.	-	-	1 (E)	-
	SCG105019P2E	Front panel (220V / 60HZ) E St	-	-	1 (E)	-
	SCG105019B2E	Front panel (220 - 110V / 60HZ) E St	-	-	1 (E)	-
	2	SCG105T19E20	Front Panel 3 Phase	-	-	-
SCG105T19E2E		Front Panel 3 Phase E St.	-	-	-	1 (E)
4	SCG1020171EU	Socket European	2	2	2	1
	SCG1020171US	Socket USA	2	2	2	1
	SCG1020171AR	Socket Argentina	2	2	2	1
6	SCG105T19102	Socket 3 phase	-	-	-	1
7	SCG102819131	Protector circuit (13A)	1	-	-	-
	SCG104019131	Protector circuit (19A)	-	1	-	-
	SCG105019131	Protector circuit (23A)	-	-	1	-
8	SCG105T19131	Protector circuit (3x10A) 3 phase	-	-	-	1
9	SCG102819130	Voltmeter assy	1	1	1	-
	SCG105T19130	Voltmeter assy. 3 phase	-	-	-	1



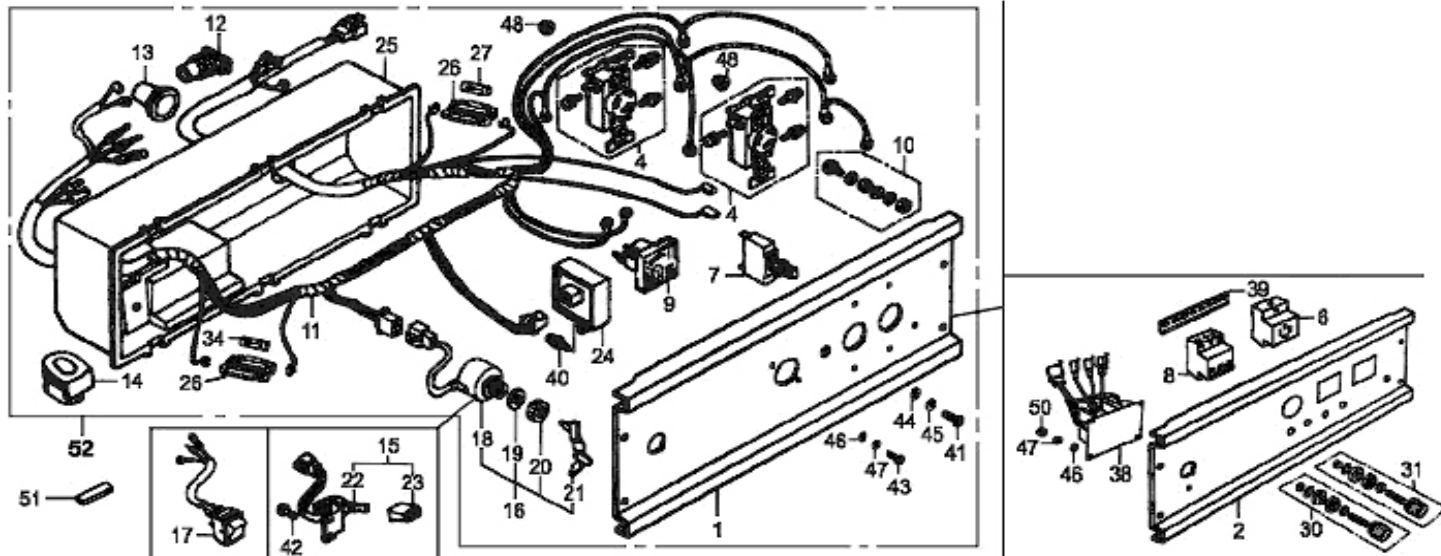
Nr.	Parts code	Description	Quantity			
			SC3000GB(E)	SC4000GB(E)	SC5000GB(E)	SC5000GB3(E)
10	SCG102819010	Terminal Set, Earth	1	1	1	1
11	SCG102819020	Harness assy. Wire	1	1	1	-
	SCG102819021	Harness assy. Wire	1 (E)	1 (E)	1 (E)	-
	SCG105T19020	Harness assy. Wire	-	-	-	1
	SCG105T19021	Harness assy. Wire	-	-	-	1 (E)
12	SCG102819022	Grommet ,A.C. Cord	1	1	1	1
13	SCG102819023	Grommet, Main Cord	1	1	1	1
14	SCG102819024	Grommet, Switch Cord	1	1	1	1
15	SCG102819030	Switch Assy. ,Engine	1	1	1	-
16	SCG102819031	Switch Assy. ,Engine	1 (E)	1 (E)	1 (E)	1 (E)
17	SCG102017151	Switch Assy. ,Engine	1	1	1	1
18	SCG102819032	Switch combination	1 (E)	1 (E)	1 (E)	1 (E)
19	SCG102819033	Rubber packing	1 (E)	1 (E)	1 (E)	1 (E)
20	SCG102819034	Nut, special	1 (E)	1 (E)	1 (E)	1 (E)
21	SCG102819035	Key	1 (E)	1 (E)	1 (E)	1 (E)
22	SCG102819036	Switch	1	1	1	-
23	SCG102819037	Knob, switch	1	1	1	-
24	SCG102819038	Rectifier	1	1	1	-
25	SCG102819110	Case, control panel	1	1	1	1
26	SCG102819111	Case, fuse connector	1 - 2 (E)	1 - 2 (E)	1 - 2 (E)	1 - 2 (E)
27	SCG102819112	Fuse, rectifier	1	1	1	1
30	SCG105T19122	Post, fire line	-	-	-	3
31	SCG105T19123	Post, mid line	-	-	-	1



Nr.	Parts code	Description	Quantity			
			SC3000GB(E)	SC4000GB(E)	SC5000GB(E)	SC5000GB3(E)
34	SCG102819125	Protector tube relay	1 (E)	1 (E)	1 (E)	1 (E)
35	SCG102819140	Protector assy., hand operator	1 (E)	1 (E)	1 (E)	-
	SCG105T19140	Protector assy., hand operator	-	-	-	1 (E)
38	SCG105T19142	AVR 3 phase	-	-	-	1
39	SCG105T19143	Plate	-	-	-	1
40	-	Screw, pan (M4 x 12mm)	1	1	1	-
41	-	Screw, pan (M4 x 10mm)	4	4	4	2
42	-	Screw, pan (M4 x 8mm)	1	1	1	-
43	-	Screw, pan (M3 x 5mm)	2	2	2	-
44	-	Washer, plain 4mm	4	4	4	2
45	-	Washer, spring 4mm	4	4	4	2
46	-	Washer, plain 3mm	2	2	2	4
47	-	Washer, spring 4mm	2	2	2	4
48	-	Nut 4mm	4	4	4	2
50	-	Nut 3mm	-	-	-	4
52	SCG102819E40	Control panel (220V / 50HZ)	1	-	-	-
	SCG102819U40	Control panel (110V / 60HZ)	1	-	-	-
	SCG102819P40	Control panel (220V / 60HZ)	1	-	-	-
	SCG102819B40	Control panel (220 - 110V / 60HZ)	1	-	-	-
	SCG102819E4E	Control panel (220V / 50HZ) E. St	1 (E)	-	-	-
	SCG102819U4E	Control panel (110V / 60HZ) E St.	1 (E)	-	-	-
	SCG102819P4E	Control panel (220V / 60HZ) E St	1 (E)	-	-	-
	SCG102819B4E	Control panel (220 - 110V / 60HZ) E St	1 (E)	-	-	-



Nr.	Parts code	Description	Quantity			
			SC3000GB(E)	SC4000GB(E)	SC5000GB(E)	SC5000GB3(E)
	SCG103019E40	Control panel (220V / 50HZ)	-	-	-	-
	SCG103019U40	Control panel (110V / 60HZ)	-	-	-	-
	SCG103019P40	Control panel (220V / 60HZ)	-	-	-	-
	SCG103019B40	Control panel (220 - 110V / 60HZ)	-	-	-	-
	SCG103019E4E	Control panel (220V / 50HZ) E. St	-	-	-	-
	SCG103019U4E	Control panel (110V / 60HZ) E St.	-	-	-	-
	SCG103019P4E	Control panel (220V / 60HZ) E St	-	-	-	-
	SCG103019B4E	Control panel (220 - 110V / 60HZ) E St	-	-	-	-
	SCG104019E40	Control panel (220V / 50HZ)	-	1	-	-
	SCG104019U40	Control panel (110V / 60HZ)	-	1	-	-
	SCG104019P40	Control panel (220V / 60HZ)	-	1	-	-
52	SCG104019B40	Control panel (220 - 110V / 60HZ)	-	1	-	-
	SCG104019E4E	Control panel (220V / 50HZ) E. St	-	1 (E)	-	-
	SCG104019U4E	Control panel (110V / 60HZ) E St.	-	1 (E)	-	-
	SCG104019P4E	Control panel (220V / 60HZ) E St	-	1 (E)	-	-
	SCG104019B4E	Control panel (220 - 110V / 60HZ) E St	-	1 (E)	-	-
	SCG105019E40	Control panel (220V / 50HZ)	-	-	1	-
	SCG105019U40	Control panel (110V / 60HZ)	-	-	1	-
	SCG105019P40	Control panel (220 - 110V / 60HZ)	-	-	1	-
	SCG105019B40	Control panel (220V / 60HZ)	-	-	1	-
	SCG105019E4E	Control panel (220V / 50HZ) E. St	-	-	1 (E)	-
	SCG105019U4E	Control panel (110V / 60HZ) E St.	-	-	1 (E)	-
	SCG105019P4E	Control panel (220V / 60HZ) E St	-	-	1 (E)	-



Nr.	Parts code	Description	Quantity			
			SC3000GB(E)	SC4000GB(E)	SC5000GB(E)	SC5000GB3(E)
52	SCG105019B4E	Control panel (220 - 110V / 60HZ) E St	-	-	1 (E)	-
	SCG105T19E40	Control panel 3 Phase	-	-	-	1
	SCG105T19E4E	Control panel 3 Phase E. St	-	-	-	1 (E)